



**Digital IR Simultaneous Interpreter System**

**YSD604**

## System Advantages



### Fully Certificated Widely Compatible

- Compliant to IEC 61603-7
- Compatible with other digital infrared simultaneous interpretation systems



### Higher Security

- Infrared transmission signals cannot penetrate through walls and ceilings guarantees strong confidentiality of the conference
- Transmitting in 1~8 MHz frequency band, which is not easy to be interfered by HF-driven lighting and can work without errors in bright sunlight



### Superb Sound Quality

- From the speaking units, interpreter units to language distribution system, every link has high-quality digital audio signals with a frequency response of 20 Hz to 10 kHz and SNR  $\geq 85$  dBA



### Original Language Name Display

- Digital Infrared Receiver has a LCD screen displaying the channel number and language name that delegates chose



### Various Audio Channels

- Push-button channel selector which can receive up to 32 audio channels
- System automatically synchronizes the actual number of channels used while unused channel will be excluded



## Digital IR Simultaneous Interpreter System

### Overviews

YARMEE digital Simultaneous Interpretation System (SICS) modular design of the Infra-Red Language Distribution System enables the required facilities to be specified in virtually any desired configuration, permitting a high degree of system flexibility.

Right now it supports up to 32 channels ,and compatible with Bosch interpretation system.

YSD604M Digital Transmitter is the central modulator unit in the digital infrared system. It accepts audio from the YSD604M or other compatible audio sources. The YSD604M modulates the incoming audio signals onto carrier waves, which are sent directly to one or more YSD604X Digital Infrared Radiators. The output from the radiator is then passed on to each YSD604R delegate receiver.

## IR Receiver-YSD604R

### Features

- Supports 4,8,16 or 32 channels available
- Immune to interference from HF-driven lighting
- Flexible configuration of channels and channel quality modes
- LCD receiver display channel number and battery capacity
- 28 level adjustable volume
- Digital infrared signal transmission, low noise, wide dynamic range
- Simple operation, lightweight, convenient to carry
- Lightweight and handy receiver in conjunction with single earphone or headphone for easy and comfortable use
- Receiver unit use rechargeable batteries, can work continuously for 15 hours, and equipped with charging box
- Setting data electricity saving function
- Within the scope of the infrared emission, no restricted quantity of the receiver
- Channel selection via up/down button
- Works without errors, even in bright sunlight
- Compliant to IEC 61603-7 and IEC 60914



YSD604M

**IR Transmission main unit-YSD604M**

**Features**

- Compatible with the latest national standard GB 50524-50524
- Compatible with any other IR system compliant to IEC 61603-7
- Capable 4, 8, 16 audio channels
- 2 ~ 8 MHz carrier frequencies, compatible with the international standard spectrum
- Wider signal radiation Angle
- Use filter lens, against noise interference of light effective, work in sunshine, neon lights and complex environment
- Transmission delay compensation function, guarantee proper signals
- Infrared cannot penetrate walls or ceiling, ensure the privacy of the meeting, avoid eavesdropping
- Humanized human-computer interface design, easy to use

**Specifications**

Items	Parameter
Modulation frequency	Carriers 0 ro5: 2 to 6 MHz, IEC 61603 part 7, Carriers 6 and 7: up to
Protocol and modulation	DQPSK, IEC 61603 part 7
Audio frequency response	20Hz-10kHz (-3dB) at standard
Total harmonic distortion at 1 kHz	<0.05%
Crosstalk attenuation at 1 kHz	>80dB
Dynamic range	>80dB
Weighted signal-to noise ratio	>80dB(A)
Power consumption	Operating:100W; Standby: 25W
Asymmetrical audio inputs	+3 dBV nominal, +6dBV maximum(±6dB)

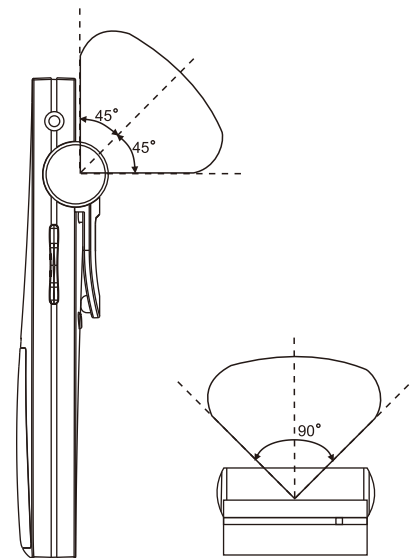
HF output	1 Vpp, 6VDC, 50Ohm
Interpreter console interface	12P-DIN
Audio input	RCA x16
Items	Parameter
Audio output	RCA x16
HF output connector interface	BNC x 4
Operating temperature range	0-40 degree
Power supply	AC110V-200V ~ 50Hz-60Hz
Dimensions	485×355×90mm
Mounting	19" rack mounting
N.W	8kg



YSD604R

**Specifications**

Receiving sensitivity	-101dBm
Angle of half sensitivity	± 50°
Headphone output level at 2.4V	450 mVrms (Speech at maximum volume, 32 ohm headphone)
Headphone output frequency	20 Hz to 10 kHz
Headphone output impedance	32 ohm
Max. signal-to-noise ratio	78 dB(A)
Supply voltage	1.8 to 3.6 V, nominal 2.4 V
Power consumption at 2.4V (battery voltage)	60 mA (speech at maximum volume, 32 ohm headphone)
Power consumption (standby)	60 mA
Dimensions	157×49×25mm
Operating temperature range	0-40 degree
N.W	150g without battery



Directional characteristics of the receiver



**Digital Interpreter Console Unit-YSD604I**

**Features**

- Support “reply”
- 2 interpreters can be use at the same time
- Fully digital design, high sound quality and greatly anti-jamming ability
- Volume adjust and automatic feedback eliminator
- Cough elimination function
- Configurable secondary translation functions, when the translator did not understand the speaker's language, by listening to the other translators transliteration again on the second translation
- Support 4, 8, 12, 16, 32 road audio channel
- Color display, optional headphones and microphones

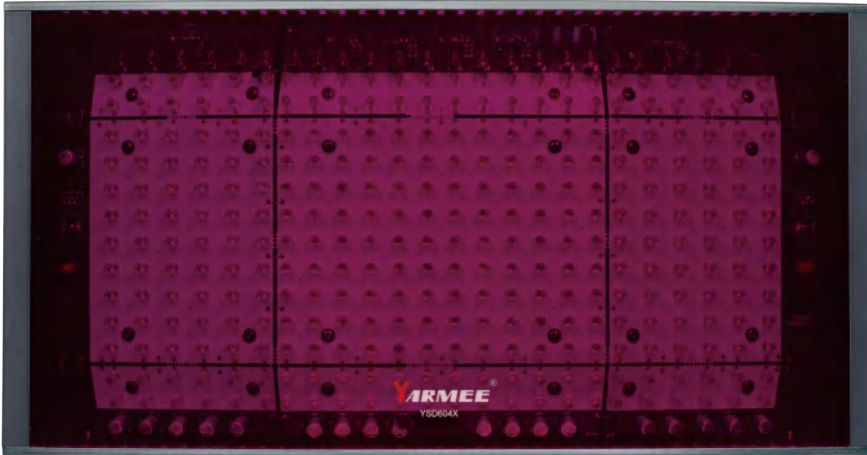


YSD604I

**Specifications**

Frequency response	50Hz – 20kHz
Sensitivity	-42 ± 2dB
Interpreter connector interface	12P-DIN
Length of gooseneck	410mm
Dimensions	300×150×70mm
Operating temperature range	0-40 degree
N.W	1.7kg





**IR Radiator-YSD604X**

YP32--Floor Stand

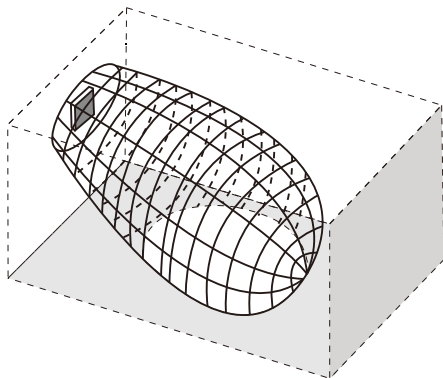
**Features**

- Compliant to IEC 61603-7 and IEC 60914
- Immune to interference from HF-driven lighting
- Coverage up to about 50 meters (25 w)
- Hand in hand radiation signal, easy to enlarge the coverage of signal, also be used to configure into many rooms
- Installation: fixed up by bracket or tripod
- Half-transmitting angle:  $\pm 22^\circ$
- Delay compensation for differences in cable lengths between transmitter and radiators

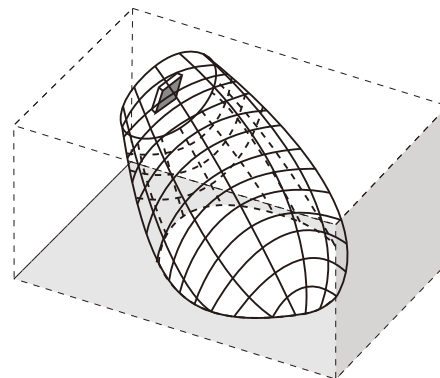
**Specifications**

HF input	Nominal 1 Vpp, minimum 10mVpp
Angle of half intensity	$\pm 22^\circ$
Total optical peak intensity	24 W/sr
Power consumption	Operating: 30W; Standby: 25 W
Transmission distance	< 30 meters/16 CH
Number of IREDS	312
Power supply	AC 110V-220V ~ 50Hz-60Hz
Dimensions	445×235×113mm
Operating temperature range	0-40 degree
Mounting	Standard: Bracket, Option: tripod
N.W	4.2kg

The cross section of the 3-deimensional radiation pattern with the floor of the conference venue is known as the footprint (the white area in the following three figures). This is the floor area in which the direct signal is strong enough to ensure proper reception, when the receiver is directed towards the radiator. As shown, the size and position of the footprint depends on the mounting height and angle of the radiator.



Radiator mounted at 15° to the ceiling



Radiator mounted at 45° to the ceiling

## Rechargeable Storage Box –YSD604C

### Features

- 220V ac power supply
- Charges 24 receivers unit per charging
- Draw rod extension and convenient pulley for moving
- Charging protection function and instructions



YSD604C

### Specifications

Power supply	AC110V-220V ~ 50Hz-60Hz
Consumption Rating	66W
Maximum charging current	220mA
Charge quantity	24
Charging time	About 2 to 2.5 hours
Charging status	Red LED flashing –Charging,
Operating temperature range	0-40 degree
Dimension	630x370x290mm
N.W	10.5kg





**YP45****Standard Interpreter booth for two person****Features**

- Compliant to ISO 4043
- Various colors can be customized
- Odorless, antistatic, fire-retardant material
- Optimum insulation and sound absorption
- Hinged door (with observation window 0.20 m x 0.20 m), opens outwards, operates silently
- Easy to set up and strike down. One person can finish this job in 15 min without any tool.
- Booth to hall (and vice versa) . sound pressure level difference: >24 dB (1 kHz)
- Reverberation time inside the booth: between 0.3 and 0.5 s (octave bands from 125 Hz to 4000 Hz, booth unoccupied).
- Ventilation system (purging 8 times per hour at least) of interpretation booth uses low-noise exhaust fan
- Internal dimensions of the booth h\*w\*d (cm): 200\*160\*160, accommodates two interpreters
- Shipping needs Interpreter Booth Shipping Case



## YP44

### Table Interpreter booth for two person

#### Overviews

YARMEE Simultaneous Interpreter Booth is developed not only to meet but surpasses ISO-4043. The tabletop style interpreter booth is made of sound absorbent materials and more light in weight. Based on years of solid experience in Interpreters booth manufacturing, our interpreter is made from 6063 aluminums and designed user friendliness, swift to mount. With 600mm(W) x 1200mm(D) x 600mm(H) ample working space created in a safe and solid construction, with cable in and outlets situate in the sidewall. Sure YARMEEs Simultaneous Interpreter Booth can provide you a comfortable working environment, and is your ideal choice for simultaneous interpretation.



#### Configuration

- The booth consists of 4 wall panel with 2 roof element
- 2 cable outlets
- sound absorbent materials used
- Leather coated surface inside
- Anti-abrasion 5mm polycarbonate window

#### Benefit

- Easy installation, can be performed by 1 person, just need 2 minutes
- Very comfortable working environment
- Clear view window (safety glass)
- Durable build
- Good looking and Comfortable
- Suitable for all types of conference systems

#### Dimensions

- Outside dimension: 600mm(W) x 1200mm(D) x 600mm(H)
- Number of booth parts including roof: 6 parts



**Connection Diagram**



**Pictures of projects**

