



**Interpreter Booth  
YP45**

## YP45

### Standard Interpreter booth for two person

#### Features

- Compliant to ISO 4043
- Various colors can be customized
- Odorless, antistatic, fire-retardant material
- Optimum insulation and sound absorption
- Hinged door (with observation window 0.20 m x 0.20 m), opens outwards, operates silently
- Easy to set up and strike down. One person can finish this job in 15 min without any tool.
- Booth to hall (and vice versa) . sound pressure level difference: >24 dB (1 kHz)
- Reverberation time inside the booth: between 0.3 and 0.5 s (octave bands from 125 Hz to 4000 Hz, booth unoccupied).
- Ventilation system (purging 8 times per hour at least) of interpretation booth uses low-noise exhaust fan
- Dimensions of the booth h\*w \*d (cm): 200\*160\*160, accommodates two interpreters
- Shipping needs Interpreter Booth Shipping Case



#### DESIGN

This high performance 2-person interpreter booth brings ergonomic design, innovation, and functionality to provide the best working environment for interpreters as well as ease of handling and assembly.

#### PERFORMANCE

Developed for high technology industry, bringing unsurpassed sound attenuation and reverberation that meets and surpasses ISO requirements for mobile booths.

#### EASE OF ASSEMBLY

The locking system makes setup and teardown fast and easy. Light pressure on the latch handle connects and tightly seals the panels together. No more tools, hex key or adjustments, one person can set up the booth in less than 10 minutes.

#### TURN KEY SYSTEM

One durable case on wheels provides everything you need for a perfect set up including all panels, a working table, 2 high velocity extraction air fan units and 2 LED lights. (The default is not equipped).

#### FLEXIBILITY

Two configuration options for 2 or 3 interpreters seating. The flexibility allows you to reduce or increase the capacity of the booth by adding or removing panels.

#### DOOR CLOSURE

Equipped with a new magnetic closure system door avoiding loud noises coming from mechanical systems that may be heard by sensitive microphone. Door can be installed on left, right and back of booth for more accessibility and conference room configuration.

#### LIGHTNESS

Aluminum frame construction combined with outside ABS plastic covering makes one of the lightness booth in the market at 256 kg. with the case. Facilitates handling, assembly, and reduces the cost of transporting.

#### DURABILITY & MAINTENANCE

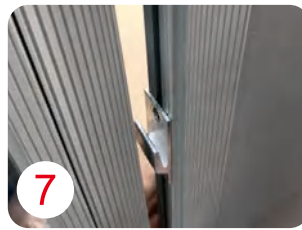
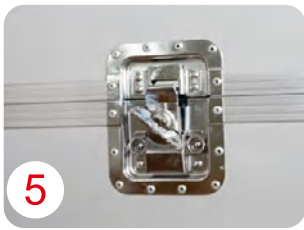
Made from the inside out with high quality materials, providing you free maintenance products. In case of damage replacement parts are available for easy fix.

#### COMFORT

Provide interpreters enjoy maximum comfort and a work surface with plenty of space for equipment and supplies, plus one of the largest panoramic window panels for superb visibility. Non allergen woven materials line the walls, a clothes hanger is an included feature as well as 2 LED light fixtures.

#### WARRANTY

Covered by a limited one year warranty on any defect or malfunction (certain conditions apply).

**YP45****Standard Interpreter booth for two person**

1. The interpreter booth for 2 interpreters

2. Working Table

3. Interpreter Fans

4. Odorless high quality carpet

5. High quality metal buckle

6. Top plate lock

7. Panel metal buckle

8. Flight case wheels

9. The Whole flight case

10. High-quality EVA cotton in the transport box

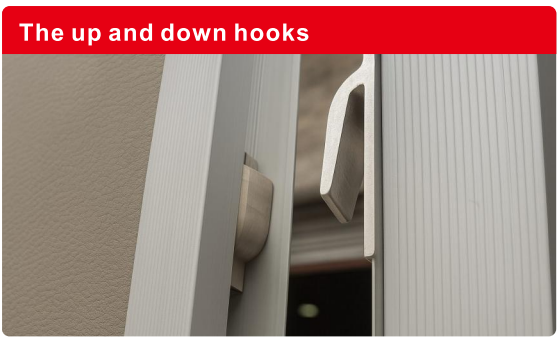
11. Outlet for cable

12 Exhaust port



**YP45**  
**Standard Interpreter booth for two person**

**Detail**





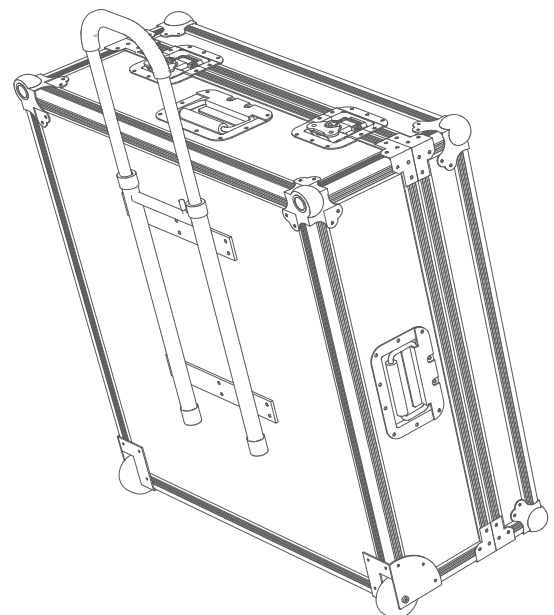
## Tabletop interpreter booth for two person YP44

### Overviews

YARMEE Simultaneous Interpreter Booth is developed not only to meet but surpasses ISO-4043. The tabletop style interpreter booth is made of sound absorbent materials and more light in weight. Based on years of solid experience in Interpreters booth manufacturing, our interpreter is made from 6063 aluminums and designed user friendliness, swift to mount. With 600mm(W) x 1200mm(D) x 600m(H) ample working space created in a safe and solid construction, with cable in and outlets situate in the sidewall. Sure YARMEEs Simultaneous Interpreter Booth can provide you a comfortable working environment, and is your ideal choice for simultaneous interpretation.

### Configuration

- The booth consists of 4 wall panel with 2 roof element
- sound absorbent materials used
- Anti-abrasion 5mm polycarbonate window
- Easy installation, can be performed by 1 person, just need 2 minutes  
Very comfortable working environment
- Clear view window (safety glass)
- Good looking and Comfortable
- Suitable for all types of conference systems
- Dimension: 600mm(W) x 1200mm(D) x 600mm(H)
- Number of booth parts including roof: 6 parts



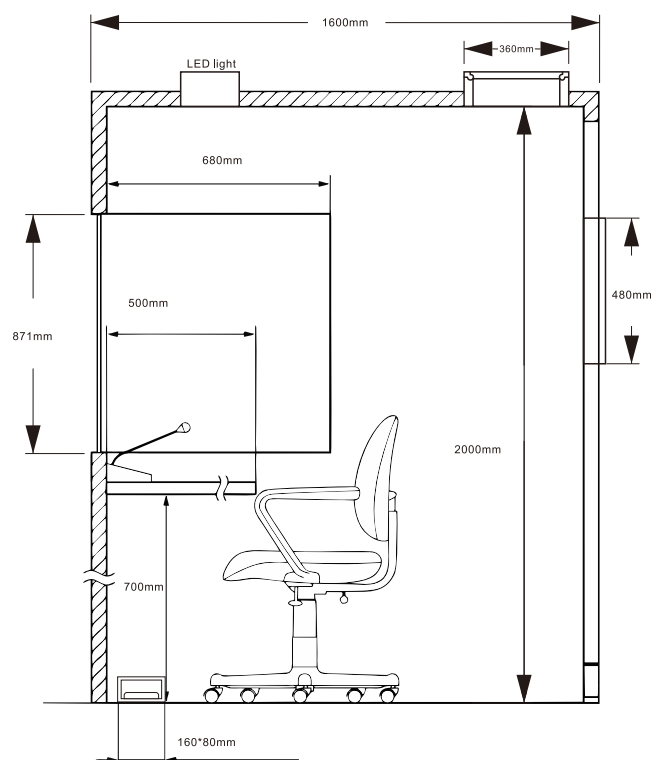




**YP43**  
**Standard Interpreter booth for one person**

**Features**

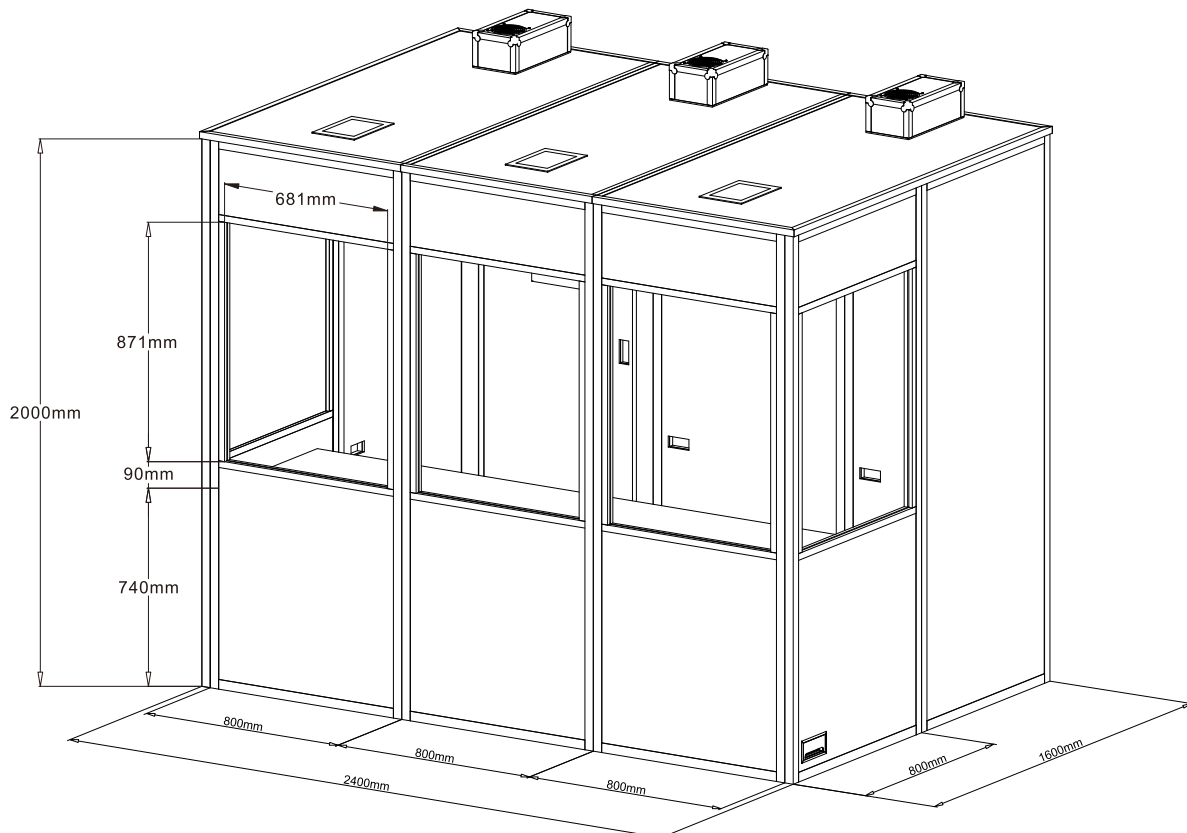
- Compliant to ISO 4043
- Various colors can be customized
- Odorless, antistatic, fire-retardant material
- Optimum insulation and sound absorption
- Hinged door (with observation window 48\*29cm), opens outwards, operates silently
- Easy to set up and strike down. One person can finish this job in 15 min without any tool.
- Booth to hall (and vice versa) . sound pressure level difference: >24 dB (1 kHz)
- Reverberation time inside the booth: between 0.3 and 0.5 s(octave bands from 125 Hz to 4000 Hz, booth unoccupied).
- Ventilation system (purging 8 times per hour at least) of interpretation booth uses low-noise exhaust fan
- Dimensions of the booth h\*w\*d : 200\*80\*160 (cm)
- Shipping needs Interpreter Booth Shipping Case



**YP42**  
**Standard Interpreter Booth For Three Person**

**Features**

- Compliant to ISO 4043
- Various colors can be customized
- Odorless, antistatic, fire-retardant material
- Optimum insulation and sound absorption
- Hinged door (with observation window 0.20 m x 0.20 m), opens outwards, operates silently
- Easy to set up and strike down. One person can finish this job in 15 min without any tool.
- Booth to hall (and vice versa) . sound pressure level difference: >24 dB (1 kHz)
- Reverberation time inside the booth: between 0.3 and 0.5 s(octave bands from 125 Hz to 4000 Hz, booth unoccupied).
- Ventilation system (purging 8 times per hour at least) of interpretation booth uses low-noise exhaust fan
- Dimensions of the booth h\*w \*d (cm): 200\*240\*160
- Shipping needs Interpreter Booth Shipping Case





**Pictures of projects**

